

Piston-Vibrators FAL (lubrication-free) and VTL

Pneumatic piston vibrators for linear vibration with unlimited fine-tuning facilities for amplitude and frequency. Wide range.



Properties

- Quiet and efficient
- Lubrication-free possible (FAL)
- Rated frequency 1'130 – 3'400 min⁻¹
- Force 12 – 2'740 N
- Continuously variable
- FAL applicable up to 120 °C, HT version up to 150 °C and LT version down to -40°C on request
- VTL-155 up to 100 °C, remaining VTLs up to 150 °C
- Resistant against extreme environmental conditions
- Also available with ATEX certification

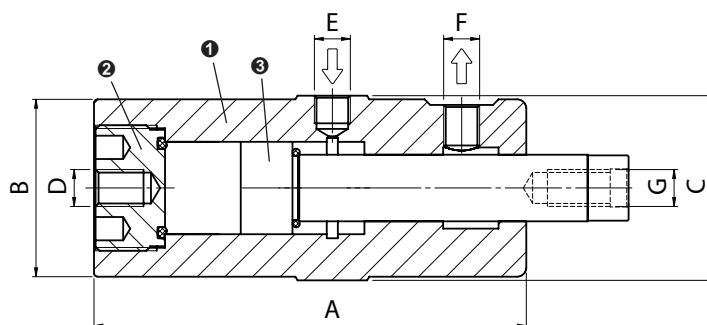
Field of application

- For foodstuffs and pharmaceuticals
- Driving conveyor and discharge chutes
- Loosening or compacting of bulk solids
- Activating of mechanical processes
- Filling facilities
- Bellows for ATEX or dusty environment as accessory

Construction

- The vibration is generated by a freely oscillating, self-reversing piston.
- The optimum power to weight ratio makes its employment in conveying impulses efficient.
- FAL: Extra hard and non-corrosive surface through aluminium oxide – generated by titaniferous electrolyte.

- FAL:
- ① Aluminium housing, coated with hard Ematal
 - ② Socket hard anodized aluminium
 - ③ Piston covered steel
- VTL:
- ① Housing, in steel (VTL 155 in synthetic material)
 - ② Socket steel (VTL-155 aluminium)
 - ③ Piston covered steel



Technical data, Dimensions, weights and piston stroke

Model	Vibrations [x 1000 min ⁻¹]			Force [N]			Air consumption [l/min]			A [mm]	B ø	C (SW) [mm]	D	E	F	G	Weight [kg]	Piston-Stroke [mm]
	2 bar	4 bar	6 bar	2 bar	4 bar	6 bar	2 bar	4 bar	6 bar									
FAL-8	2.05	2.9	3.4	12	30	42	8	18	30	91	20	23	M6	M5	M5	M5	0.09	27.0
FAL-18	1.42	1.9	2.25	60	140	205	20	40	60	117	48	50	M10	G 1/8"	G 1/8"	M10	0.67	33.0
FAL-25	1.13	1.55	2.02	120	265	530	40	110	155	139	60	65	M16	G 1/4"	G 1/4"	M16	1.31	40.0
FAL-35	1.24	1.55	2.01	205	340	655	75	220	350	140	77	-	M16	G 1/4"	G 1/4"	M16	2.35	37.0
VTL-155	1.8	2.4	2.7	40	72	96	18	40	85	114	50	-	M10	G 1/8"	G 1/8"	M10	0.55	34.0
VTL-165	1.9	2.5	2.7	43	76	96	17	37	70	111	49	-	M10	G 1/8"	G 1/8"	M10	1.51	35.0
VTL-255	1.6	1.7	2.2	82	214	398	56	109	180	140	64	-	M16	G 1/4"	G 1/4"	M16	3.22	45.0
VTL-405	1.4	1.7	2.0	206	343	657	80	240	390	140	84	-	M16	G 1/4"	G 1/4"	M16	5.43	45.0
VTL-555	1.6	1.2	2.5	451	961	1'305	140	419	717	125	115	-	M20	G 3/8"	G 3/8"	M20	8.90	37.7
VTL-855	1.8	2.3	2.6	706	1'137	1'530	301	635	900	122	160	-	M20	G 3/8"	G 3/8"	M20	17.10	34.7
VTL-1105	2.1	2.6	3.0	1'550	2'619	2'737	345	740	920	122	200	-	M20	G 1/2"	G 3/8"	M20	25.83	32.7