



Stainless Turbines GTRF

Pneumatic turbine vibrators made of stainless-steel.

Properties

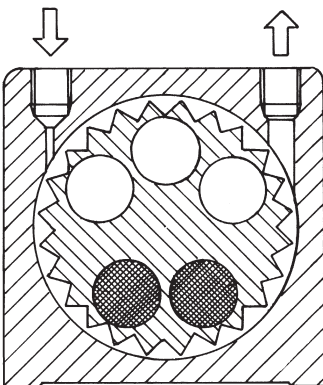
- Lubrication-free
- Low noise level
- Strong vibration by means of high speed and eccentric working torques
- Rated frequency 14'000 – 37'000 rpm
- Centrifugal force 169 – 1'284 lbf
- Continuously variable
- Can be used up to 302 °F
- Resistant to extreme environmental conditions
- Also available with ATEX certification

Field of application

- For foodstuffs and pharmaceuticals, complies with FDA specifications
- Emptying of bunkers
- Screen filter
- Vibrating tables
- Preventing adhesions in pipelines and silos
- Transporting of fine powders
- Moving of bulk materials

Construction

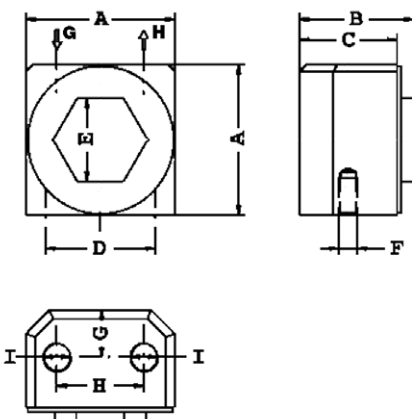
- Vibration from the centrifugal force of positive and negative imbalanced torques in the rotor.
- Rotor on two pre-lubricated and enclosed ball bearings arranged in pairs.
- Made from stainless-steel 316 and lubricated with special grease for long life.



Housing made of stainless-steel
Turbine wheel made of surface-hardened aluminium

Technical Data in PSI, lbf, CF

Model	Vibrations 1000 rpm			Centrifugal force lbf			Air consumption CF min ⁻¹		
	29 PSI	58 PSI	87 PSI	29 PSI	58 PSI	87 PSI	29 PSI	58 PSI	87 PSI
GT-10-RF	27.0	32.0	37.0	169	304	473	1.6	2.8	3.9
GT-16-RF	20.0	23.0	27.5	383	563	833	4.2	7.0	10.2
GT-25-RF	14.0	17.0	19.5	563	935	1284	6.5	11.4	15.9



Sizes and weights in inches and lb

Model	A inches	Width inches	C inches	D inches	E inches	F thread	G	Weight lb
GT-10-RF	1.93	1.50	1.26	1.42	1.06	0.24	1/8"	0.24
GT-16-RF	2.52	1.77	1.54	1.89	1.42	0.31	1/4"	0.45
GT-25-RF	3.07	2.16	1.93	2.36	1.97	0.39	1/4"	0.82