



Roller Vibrators R

Simply constructed high-frequency roller vibrators, wide range for many applications.

Properties

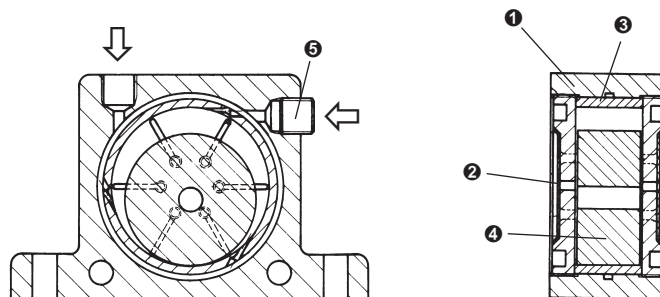
- High centrifugal force
- Rated frequency 10'000 – 36'000 min⁻¹
- Centrifugal force 1'070 – 12'500 N
- Continuously variable
- Applicable up to 150°C
- Resistant against extreme environmental conditions
- Also available with ATEX certification

Construction

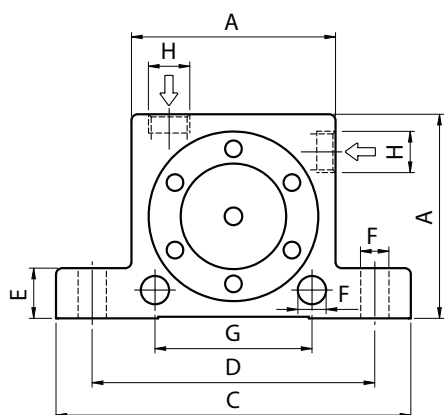
- Vibration by a rotating precision-steel roller.
- Shockproof synthetic caps.
- Housing with 4 mounting bores.
- Air feed from the top or lateral.

Field of application

- Emptying of hoppers and chutes
- Screen filters
- Conveyance of small particles
- Preventing adhesions in pipelines and silos
- Transport of fine powders
- Compacting of plastic and concrete in troughs



- ❶ Housing of extruded aluminium alloy, powder-coated
- ❷ Synthetic caps
- ❸ Guides made of steel castings
- ❹ Steel roller
- ❺ Screw plug



Dimensions and weights

Model	A [mm]	Width [mm]	C [mm]	D [mm]	E [mm]	F [mm]	G [mm]	H Thread	Weight [kg]
R-50	50	29	86	68	12	7	40	G 1/8"	0.24
R-65	65	37	113	90	16	9	50	G 1/4"	0.54
R-80	80	43	128	104	16	9	60	G 1/4"	0.95
R-100	100	52	160	130	20	11	80	G 3/8"	1.81
R-120	120	77	194	152	24	17	–	G 3/8"	4.26

Technical data

Model	Vibrations [x 1000 min ⁻¹]			Centrifugal force [N]			Air consumption [l/min]		
	2 bar	4 bar	6 bar	2 bar	4 bar	6 bar	2 bar	4 bar	6 bar
R-50	25.0	35.0	36.0	1'070	2'920	4'220	100	145	195
R-65	19.0	21.0	26.0	2'730	4'830	6'120	200	300	400
R-80	15.5	18.5	19.0	3'000	6'090	7'450	290	430	570
R-100	11.0	14.0	16.0	3'750	6'750	8'900	370	550	730
R-120	10.0	11.5	12.5	8'000	10'000	12'500	500	730	970