



Roller Vibrators R

Simply constructed high-frequency roller vibrators, wide range for many applications.

Properties

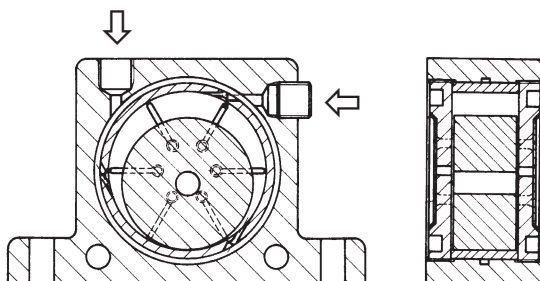
- High torque
- Rated frequency 10'000 – 36'000 rpm
- Centrifugal force 240 – 2'812 lbf
- Continuously variable
- Can be used up to 302 °F
- Resistant to extreme environmental conditions
- Also available with ATEX certification

Field of application

- Emptying of hoppers and chutes
- Screen filters
- Conveying of particulates
- Preventing adhesions in pipelines and silos
- Transporting of fine powders
- Compacting of plastic and concrete in troughs

Construction

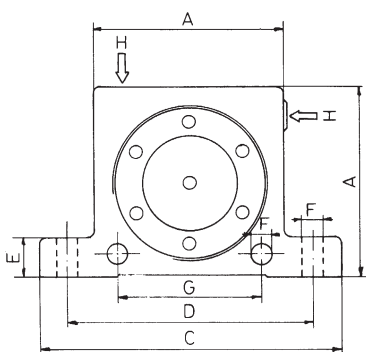
- Vibration created by a rotating precision-steel roller
- Shockproof plastic end plates
- Housing with 4 mounting bores, depending on the application



Housing made from extruded aluminium alloy
 Cast iron strip
 Steel roller
 Plastic end plates

Technical Data in PSI, lbf, CF

| Model | Vibrations 1000 rpm | | | Centrifugal force lbf | | | Air consumption CF min ⁻¹ | | |
|-------|------------------------|--------|--------|--------------------------|--------|--------|---|--------|--------|
| | 29 PSI | 58 PSI | 87 PSI | 29 PSI | 58 PSI | 87 PSI | 29 PSI | 58 PSI | 87 PSI |
| R-50 | 25.0 | 35.0 | 36.0 | 240 | 657 | 950 | 3.5 | 5.1 | 6.9 |
| R-65 | 19.0 | 21.0 | 26.0 | 614 | 1089 | 1377 | 7.0 | 10.6 | 14.1 |
| R-80 | 15.5 | 18.5 | 19.0 | 675 | 1370 | 1676 | 10.2 | 15.2 | 20.1 |
| R-100 | 11.0 | 14.0 | 16.0 | 844 | 1519 | 2003 | 13.0 | 19.4 | 25.8 |
| R-120 | 10.0 | 11.5 | 12.5 | 1800 | 2250 | 2812 | 17.6 | 25.8 | 34.2 |



Sizes and weights in inches and lb

| Model | A | Width | C | D | E | F | G | H | Weight |
|-------|--------|--------|--------|--------|--------|--------|--------|---------------|--------|
| | inches | inches | inches | inches | inches | inches | inches | Thread BSP | lb |
| R-50 | 1.97 | 1.14 | 3.38 | 2.68 | 0.47 | 0.27 | 1.57 | 1/8" | 0.53 |
| R-65 | 2.56 | 1.46 | 4.45 | 3.54 | 0.63 | 0.35 | 1.97 | 1/4" | 1.20 |
| R-80 | 3.15 | 1.69 | 5.04 | 4.09 | 0.63 | 0.35 | 2.36 | 1/4" | 2.10 |
| R-100 | 3.94 | 2.05 | 6.3 | 5.12 | 0.79 | 0.43 | 3.15 | 3/8" | 4.00 |
| R-120 | 4.72 | 3.03 | 7.64 | 5.99 | 0.94 | 0.67 | - | 3/8" | 9.40 |